

DATE:

PROJECT:

COMMENTS:

VP-VE Aluminum.

Compact Vaporproof Fixture - Value Engineered



CONSTRUCTION

- High impact aluminum guard.
- Porcelain medium screw base lamp holder.
- Long life silicone gaskets.
- Stainless steel screws.

LAMP

- Type A19 or A21 Edison base, (Lamp not included).
- E26 125W maximum.
- LED COB 120V or 277V integrated.
- 2000 lumens equal to 18 watts with 4000K.

APPROVALS

- UL certified.
- Indoor / Outdoor.

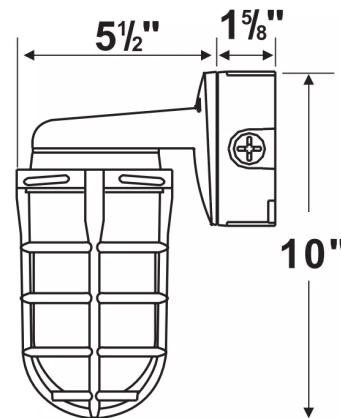
▪ Sauna suitable- Maximum ambient temperature 200°F.

SERIES	GUARD	MOUNTING	LAMP TYPE
VP- VE ALUMINUM.	G Globe Guard	C Ceiling. W Wall.	E E26 BASE 120 LED 120V 277 LED 277V
VP- VE ALUMINUM.	G		

Ceiling Mount



Wall Mount



- The ceiling box has 5 1/2" threaded hubs with liquid tight knockouts.
- Use minimum 90°C rated lead wires.

INSTALLATION

The ceiling box has 3/4" threaded hubs with liquid tight knockouts. Internal grounding system allows for hub to hub grounding continuity when using metallic wiring methods (lock nuts are required). Two mounting feet are spaced 5 1/4". Pendant mount fixtures have a single 3/4" threaded hub with a locking set screw. Use minimum 90°C rated lead wires.

