

DATE:

PROJECT:

COMMENTS:

# TEMPLE

## RLM Signature Series



### CONSTRUCTION

- Heavy-gauge spun metals
- Multiple gooseneck designs available
- Indoor and outdoor use

### LAMP

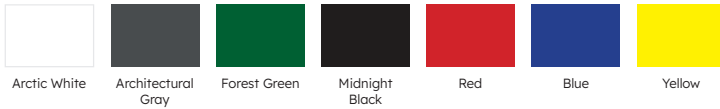
- Standard 20W LED
- 150W maximum incandescent (Lamp not included)

### POWER SOURCE

- Electronic LED driver, 0-10V dimmable UNV 120/277V

### APPROVALS

- ETL
- CSA Certified



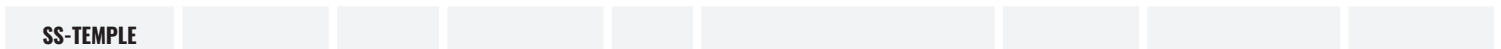
### ORDERING LOGIC

SS-TEMPLE-I-H-150-1-DC-AL-GSC-WH

SERIES	LAMP TYPE	OUTPUT	WATTAGE	VOLTAGE	MOUNTING OPTIONS	MATERIAL	GLOBE	FINISH		
<b>SS-TEMPLE</b>	<b>L</b> LED	<b>H</b> High	<b>LED</b>	<b>1</b> 120V	<b>DC</b> Drop Cord	<b>GOOSENECK<sup>1</sup></b>	<b>AL</b> Aluminum	<b>GSC</b> Glass Clear	<b>WH</b> White	
	<b>I</b> Incandescent	<b>N</b> Normal	<b>15</b> 15W	<b>2</b> 277V	<b>S</b> Swivel Stem	<b>C1</b> C1	<b>BR</b> Brass	<b>GSO</b> Glass Opal	<b>AG</b> Gray	
			<b>20</b> 20W	<b>3</b> 347V	<b>W</b> Wall Custom	<b>C2</b> C2	<b>CP</b> Copper	<b>GPC</b> Glass Prismatic Clear	<b>BK</b> Black	
	<b>INCANDESCENT</b>		<b>150</b> 150W Max.			<b>P</b> Pendant (Straight Stem)	<b>C3</b> C3	<b>GS</b> Galvanized Steel	<b>GHC</b> Heat Treated Clear Glass	<b>RD</b> Red
						<b>PS</b> Powered Suspension	<b>C4</b> C4		<b>PL</b> PUK Lens	<b>BL</b> Blue
							<b>C5</b> C5		<b>GR</b> Green	
							<b>C</b> Custom		<b>YL</b> Yellow	
									<b>TWH</b> Textured White	
									<b>TBK</b> Textured Black	
				<b>TAL</b> Textured Aluminum						
			<b>CS<sup>2</sup></b> Custom Color							

#### ORDERING NOTES

1. Standard 3/4" threaded hub
2. All RAL Colors Available and other LED CCT



SEE NEXT PAGE FOR ACCESSORIES

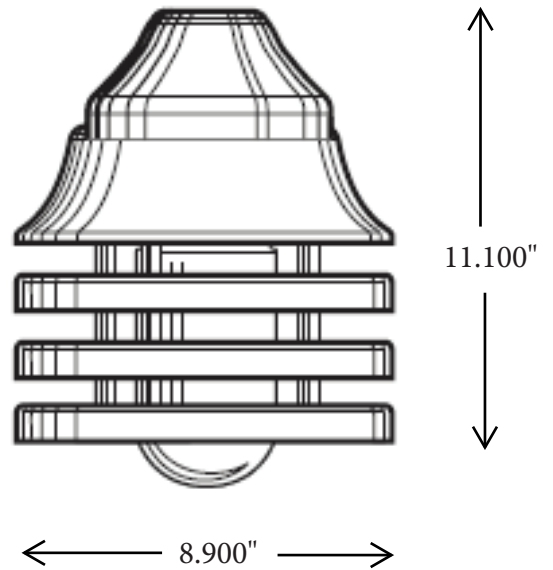


**ACCESSORIES (ORDER SEPARATELY)**

SS-TEMPLE-BP

**DIMENSIONS**

SERIES	ACCESSORIES
SS-TEMPLE	<b>PA</b> Pig Tail Adapter <b>AC</b> Air Craft Cables <b>OG</b> Globe Guard <small>(Not Available with Polycarbonate Globes)</small>
SS-TEMPLE	



**MOUNTING OPTIONS**

