

DATE:

PROJECT:

COMMENTS:

## VP Compact Vaporproof Fixture



4000K  
NATURAL WHITE

15W  
RED

15W  
GREEN

15W  
BLUE

### CONSTRUCTION

- Noncorroding, 30% glass-filled, high impact thermoset polyester housing
- High impact reinforced polymer alloy guard
- Stainless steel screws and brass inserts
- Long life silicone gaskets

### LAMP

- 20W standard LED, 2580 lumen output
- 4000K Standard and also Red, Green and Blue LED modules available.
- Efficacy: 129 lm/w
- 150W maximum incandescent
- E26 medium lamp base (Lamp not included)
- 32W maximum compact non-metallic Fluorescent
- 4-pin CFL with GX24q-3 lamp base (Lamp not included)

### OPERATING TEMPERATURE

- -40°C to 85°C, (-40°F to 185°F).

### DRIVER (LED ONLY)

- Constant current
- 0-10V Dimming
- 120V=0.164A / 277V=0.077A
- 15.69% THD at 277V
- Color modules are Triac Dimming

• **MRI compatible when order with non-ferrous alloy. (makes it non-magnetic).**

• **Marine grade.**



### ORDERING LOGIC

68-01-150-I-C-F-OG-01-INC 120V ONLY

SERIES	FINISH	WATTAGE	LAMP TYPE	MOUNTING	FIXTURE TYPE	GUARD <sup>1</sup>	GLOBE	VOLTAGE
68	01 White	<b>LED</b>	<b>I</b> Incandescent	<b>C</b> Ceiling	<b>F</b> With Box	<b>OG</b> Globe Guard	<b>01</b> Standard Opal Glass	<b>LED</b>
68 MRI	02 Gray	<b>12</b> 12W	<b>F</b> Fluorescent	<b>W</b> Wall	<b>R</b> Retrofit Kit (Without Box)	<b>09</b> Guard with Clear Dome Reflector	<b>09</b> Standard Clear Glass	<b>1</b> UNV (120/277V)
	03 Black	<b>15</b> 15W	<b>L</b> LED	<b>P</b> Pendant			<b>18</b> Standard Frosted	<b>2</b> 347V
	04 Red	<b>20</b> 20W		<b>S</b> Stanchion	<b>29</b> Prismatic Clear Glass	<b>FLUORESCENT</b>		
	05 Blue	<b>RD</b> Red 15W			<b>Heat Treated Glass<sup>2</sup></b>	<b>11</b> 120V		
	06 Green	<b>GN</b> Green 15W			<b>11</b> Clear	<b>12</b> 277V		
	07 Yellow	<b>BL</b> Blue 15W			<b>14</b> Red	<b>13</b> 347V		
						<b>15</b> Blue	<b>INCANDESCENT</b>	
		<b>FLUORESCENT</b>				<b>16</b> Green	INC 120V ONLY	
		<b>26</b> 26W				<b>17</b> Amber		
		<b>32</b> 32W				<b>Polycarbonate</b>		
		<b>INCANDESCENT</b>				<b>39</b> Clear Prismatic		
		<b>150</b> 150W Max.				<b>59</b> Clear Smooth		

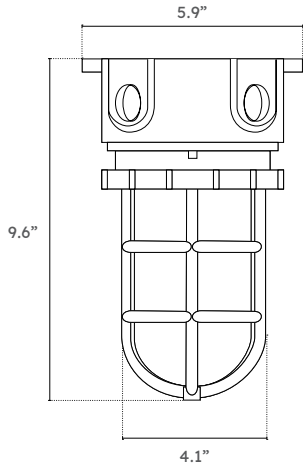
#### ORDERING NOTES

1. Not available with polycarbonate globes
2. Class 1, Div. 2 when ordered with heat treated globes

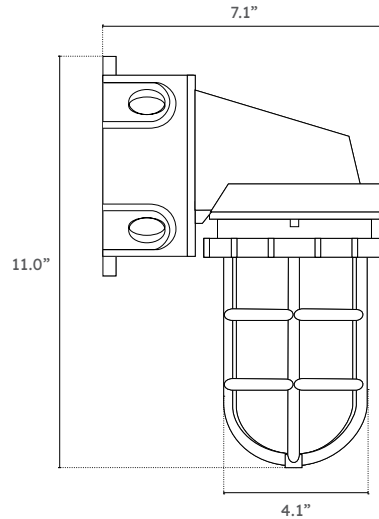


**INCANDESCENT DIMENSIONS**

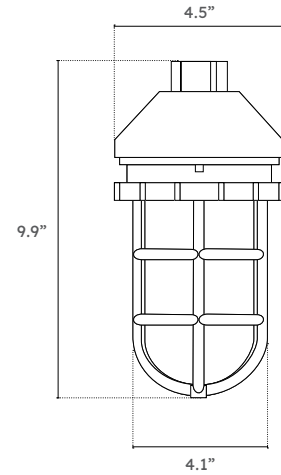
Ceiling Mount



Wall Mount

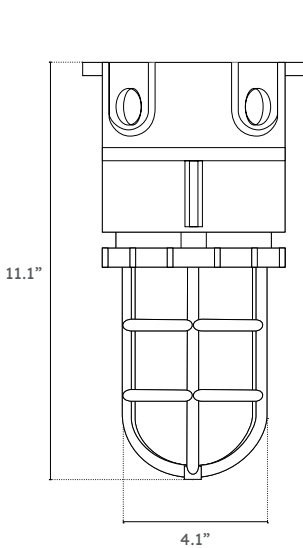


Pendant Mount

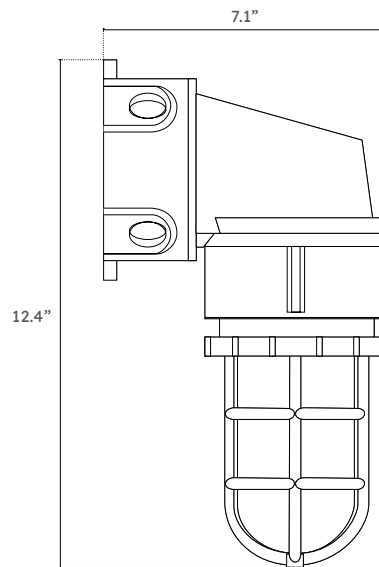


**FLUORESCENT DIMENSIONS**

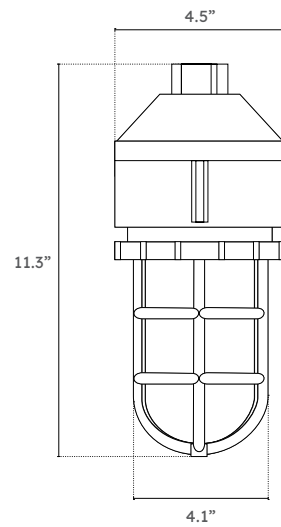
Ceiling Mount



Wall Mount



Pendant Mount



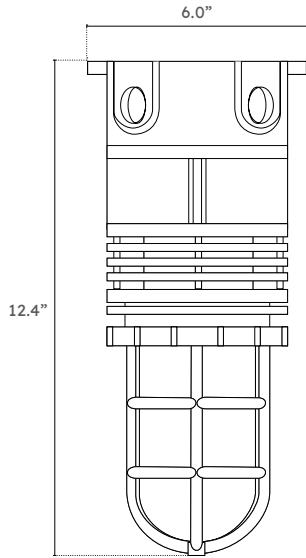
**INSTALLATION**

The ceiling box has  $\frac{3}{4}$ " threaded hubs with liquid tight knockouts. Internal grounding system allows for hub to hub grounding continuity when using metallic wiring methods (lock nuts are required). Two mounting feet are spaced  $\frac{5}{8}$ ". Pendant mount fixtures have a single  $\frac{3}{4}$ " threaded hub with a locking set screw. Use minimum 90°C rated lead wires.

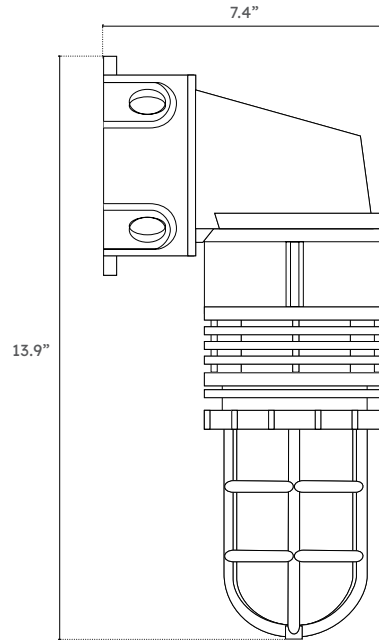


**LED DIMENSIONS**

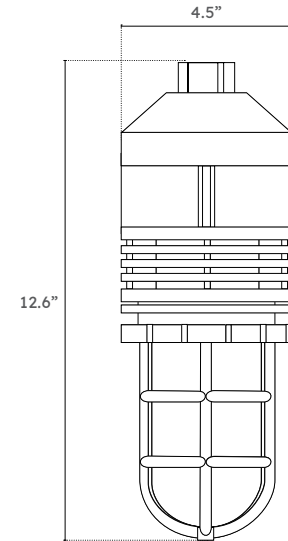
Ceiling Mount



Wall Mount

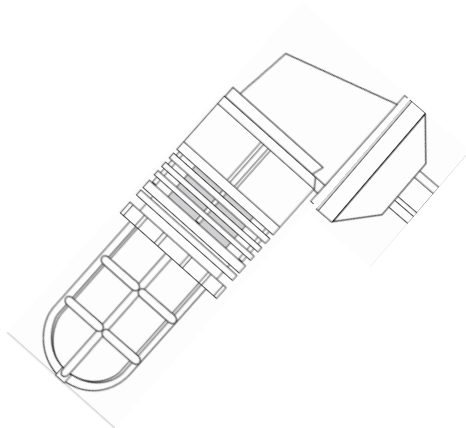


Pendant Mount

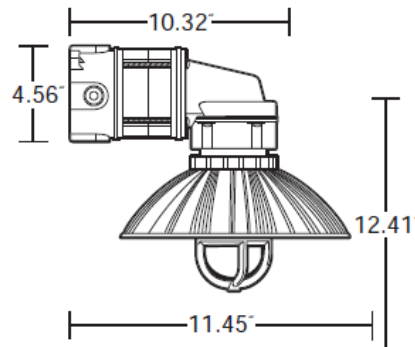


**ACCESSORIES**

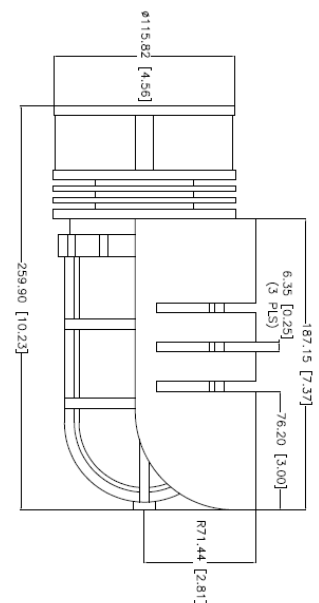
Stanchion Mount



Reflector



Shroud - Design Optional



**INSTALLATION**

The ceiling box has 3/4" threaded hubs with liquid tight knockouts. Internal grounding system allows for hub to hub grounding continuity when using metallic wiring methods (lock nuts are required). Two mounting feet are spaced 5 1/4". Pendant mount fixtures have a single 3/4" threaded hub with a locking set screw. Use minimum 90°C rated lead wires.