

DATE:

PROJECT:

COMMENTS:

# LED PUKmate®

Outdoor Lighting Fixture



### CONSTRUCTION

- Corrosion-free, high impact polycarbonate housing
- EDPM cover plate gasket
- Brass and Stainless Steel screws and inserts
- Aluminum powder coated heat sink

### LAMP

- Integral LED up to 12 Watt per head
- Up to 1600 lumens per head
- 4000K Standard (Other CCT available)
- 1-10v Dimmable driver
- ~~Optional~~

### MOUNTING

- Wall, ceiling, and ground

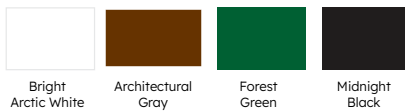
### FINISH

- Bright arctic white
- Architectural gray
- Forest green
- Midnight black

### APPROVALS

- DLC (Lamp dependent)
- ETL
- CSA Certified
- Made in the USA
- Indoor/outdoor
- Suitable for wet locations
- Materials meet UL 94-5V standards for flame retardant

▪ Marine grade.



## ORDERING LOGIC

PUKmate®-65L

SERIES	LAMP/CCT	FINISH	WEATHERPROOF BOX	OPTIONS
PUKmate®-65L	1 One LED	1 Bright Arctic White	0 No Box	MS Motion Sensor
	2 Two LED	2 Architectural Gray	1 Matching Weatherproof Box	GMS Ground Mount Stake
		3 Forest Green		SL Strobe lighting
		4 Midnight Black		SH Shroud
PUKmate®-65L				

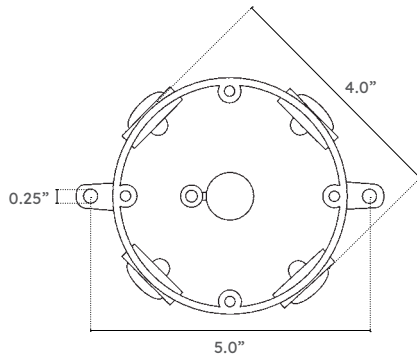
## INSTALLATION

The ceiling box has 3/4" threaded hubs with liquid tight knockouts. Internal grounding system allows for hub to hub grounding continuity when using metallic wiring methods (lock nuts are required).

Two mounting feet are spaced 5 1/4". Pendant mount fixtures have a single 3/4" threaded hub with a locking set screw. Use minimum 90°C rated lead wires.



### DIMENSIONS



### 360 Rotation

Our locking adjustment mechanism allows for flexible adjustment without tools. It is simple to use and will never droop, strip or seize up over time!

### INSTALLATION

Both the single hole and three hole covers fit on all 4" weatherproof boxes, recessed 4" octagonal boxes and matching Canlet weatherproof boxes. Screw caps are provided to plug unused mounting holes. The matching weatherproof box has five 1/2" threaded hubs and four plugs. The rear hub is a knockout. The box's mounting feet are spaced 5". Each fixture comes with installation aiming instructions.

One Lamp Holder with Cover and Box



Two Lamp Holders with Cover and Box



WEATHER PROOF

### INSTALLATION

The ceiling box has 3/4" threaded hubs with liquid tight knockouts. Internal grounding system allows for hub to hub grounding continuity when using metallic wiring methods (lock nuts are required).

Two mounting feet are spaced 5 1/4". Pendant mount fixtures have a single 3/4" threaded hub with a locking set screw. Use minimum 90°C rated lead wires.

