

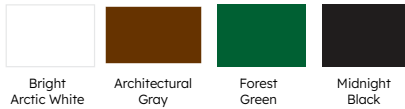
DATE:

PROJECT:

COMMENTS:

LED PUKmate®

Outdoor Lighting Fixture



CONSTRUCTION

- Corrosion-free, high impact polycarbonate housing
- EDPM cover plate gasket
- Brass and Stainless Steel screws and inserts
- Aluminum powder coated heat sink

LAMP

- Integral LED up to 12 Watt per head
- Up to 1600 lumens per head
- 4000K Standard (Other CCT available)
- 1-10v Dimmable driver
- Optional strobe lighting

MOUNTING

- Wall, ceiling, and ground

FINISH

- Bright arctic white
- Architectural gray
- Forest green
- Midnight black

APPROVALS

- DLC (Lamp dependent)
- ETL
- CSA Certified
- Made in the USA
- Indoor/outdoor
- Suitable for wet locations
- Materials meet UL 94-5V standards for flame retardant

Marine grade.

ORDERING LOGIC

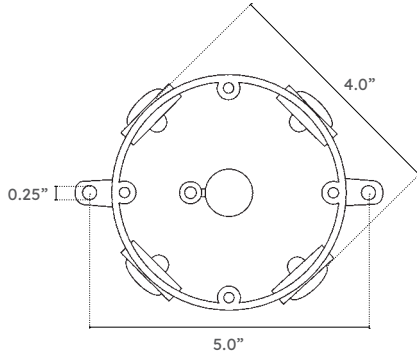
PUKmate®-65L-1/4K-1-0

SERIES	LAMP/CCT	FINISH	WEATHERPROOF BOX	OPTIONS
PUKmate®-65L	1 One LED	1 Bright Arctic White	0 No Box	MS Motion Sensor
	2 Two LED	2 Architectural Gray	1 Matching Weatherproof Box	GMS Ground Mount Stake
		3 Forest Green		SL Strobe lighting
		4 Midnight Black		SH Shroud
PUKmate®-65L				



DIMENSIONS

Junction Box



360 Rotation

Our locking adjustment mechanism allows for flexible adjustment without tools. It is simple to use and will never droop, strip or seize up over time!

INSTALLATION

Both the single hole and three hole covers fit on all 4" weatherproof boxes, recessed 4" octagonal boxes and matching Canlet weatherproof boxes. Screw caps are provided to plug unused mounting holes. The matching weatherproof box has five 1/2" threaded hubs and four plugs. The rear hub is a knockout. The box's mounting feet are spaced 5". Each fixture comes with installation aiming instructions.

One Lamp Holder with Cover and Box



Two Lamp Holders with Cover and Box

