

DATE:

PROJECT:

COMMENTS:

# PUK-VE

Contained Vaporproof LED - Value Engineered



### CONSTRUCTION

- Noncorroding, 30% glass-filled, high impact thermoset polyester housing
- High impact reinforced polymer alloy guard
- Stainless steel screws
- Brass inserts
- Long life silicone gaskets
- ¼ inch thick Lexan clear lens

### LED

- 18W 4000K 80CRI 2000 lm.
- 15W Red, Green or Blue 1400 lm.
- 120VAC or 277VAC.
- LED PCB Triac Dimmable Module.

### OPERATING TEMPERATURE

- -40°C to 85°C, (-40°F to 185°F).

### APPROVALS

- ETL
- CSA Certified
- Buy American Act
- IP66
- Class I Div. 2-Groups A, B, C, D.
- MRI compatible when order with non-ferrous alloy, (makes it nonmagnetic).
- **Marine grade.**



### ORDERING LOGIC

PUK VE - 02 - 4K - C - F - 09 - 1

SERIES	FINISH	LED COLOR/ WATTAGE	MOUNTING	FIXTURE TYPE	LENS	VOLTAGE
PUK-VE	01 White	4K Natural White 18W	C Ceiling	F With Box (Not Available with Pendant)	09 Clear Lens	1 120VAC
PUK-VE MRI	02 Gray	RD RED 15 Watt	W Wall	R Retrofit Ring	18 Etched Lens	2 277VAC
	03 Black	GN Green 15 Watt	P Pendant			
	04 Red	BL Blue 15 Watt	S Stanchion			
	05 Blue		GS Ground Stake			
	06 Green					
	07 Yellow					



# PUK-VE

Contained Vaporproof LED - Value Engineered



## INSTALLATION

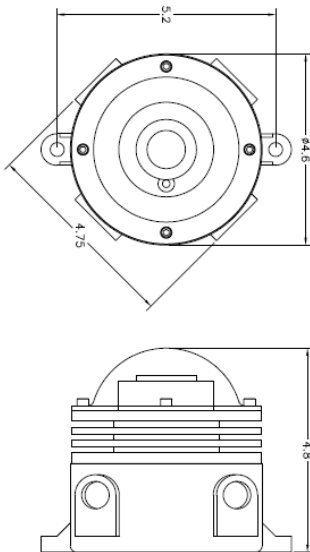
The ceiling box has 3/4" threaded hubs with liquid tight knockouts. Internal grounding system allows for hub to hub grounding continuity when using metallic wiring methods (lock nuts are required). Two mounting feet are spaced 5 1/4". Pendant mount fixtures have a single 3/4" threaded hub with a locking set screw. Use minimum 194°F (90°C) rated lead wires.

## APPROVALS

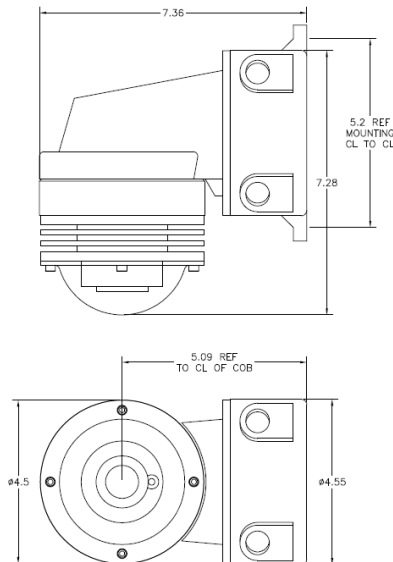
- ETL
- CSA Certified
  - C22.2 No. 250.0-08 Luminaires
  - C22.2 No. 250.13-12
- Buy American Act
- IP66
- Patents
  - US Patent No. D767195S1
  - Canadian Design Patent No. 163809
  - Chinese Patent No. 201530303758.8
  - Class I Div. 2-Groups A, B, C, D.

## DIMENSIONS/MOUNTING TYPES

Ceiling Mount



Wall Mount



Pendant Mount

