

DATE:

PROJECT:

COMMENTS:

VP

Compact Vaporproof Fixture



CONSTRUCTION

- Noncorroding, 30% glass-filled, high impact thermoset polyester housing
- High impact reinforced polymer alloy guard
- Stainless steel screws and brass inserts
- Long life silicone gaskets

LAMP

- 20W standard LED, 2580 lumen output
 - 4000K (Additional options available)
 - 80 CRI
 - Efficacy: 129 lm/w
- 150W maximum incandescent
 - E26 medium lamp base (Lamp not included)
- 32W maximum compact non-metallic fluorescent
 - 4-pin CFL with GX24q-3 lamp base (Lamp not included)

OPERATING TEMPERATURE

- -40°C to 85°C, (-40°F to 185°F).

DRIVER (LED ONLY)

- Constant current
- 0-10V Dimming
- 120V=0.164A / 277V=0.077A
- 15.69% THD at 277V

▪ **MRI compatible when order with non-ferrous alloy, (makes it non-magnetic).**

▪ **Marine grade.**



ORDERING LOGIC

68-01-150-I-C-F-OG-01-INC 120V ONLY

SERIES	FINISH	WATTAGE	LAMP TYPE	MOUNTING	FIXTURE TYPE	GUARD ¹	GLOBE	VOLTAGE
68 MRI	01 White	LED	I Incandescent	C Ceiling	F With Box	OG Globe Guard	01 Standard Opal Glass	LED
	02 Gray	12 12W	F Fluorescent	W Wall	R Retrofit Kit (Without Box)	09 Guard with Clear Dome Reflector	09 Standard Clear Glass	1 UNV (120/277V)
	03 Black	15 15W	L LED	P Pendant			18 Standard Frosted	2 347V
	04 Red	20 20W		S Stanchion			29 Prismatic Clear Glass	FLUORESCENT
	05 Blue	FLUORESCENT					Heat Treated Glass²	11 120V
	06 Green	26 26W					11 Clear	12 277V
	07 Yellow	32 32W					14 Red	13 347V
		INCANDESCENT				15 Blue	INCANDESCENT	
		150 150W Max.				16 Green	INC 120V ONLY	
						17 Amber		
						Polycarbonate		
						39 Clear Prismatic		
						59 Clear Smooth		

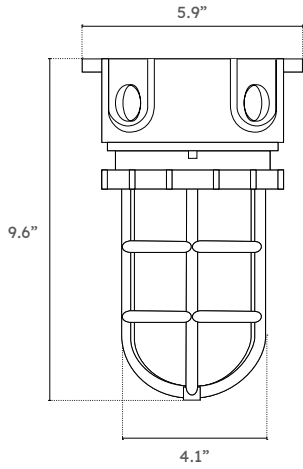
ORDERING NOTES

1. Not available with polycarbonate globes
2. Class 1, Div. 2 when ordered with heat treated globes

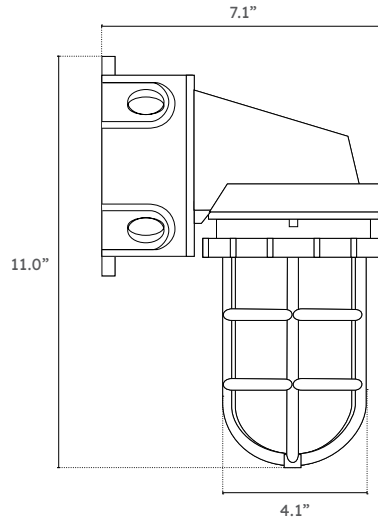


INCANDESCENT DIMENSIONS

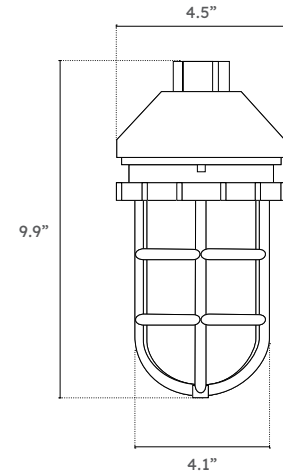
Ceiling Mount



Wall Mount

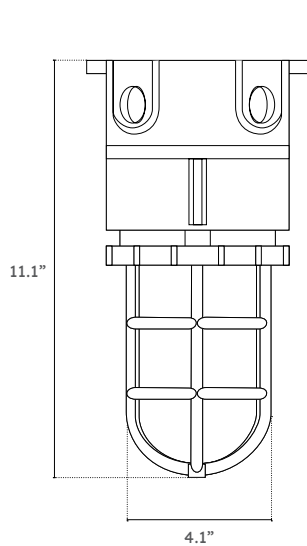


Pendant Mount

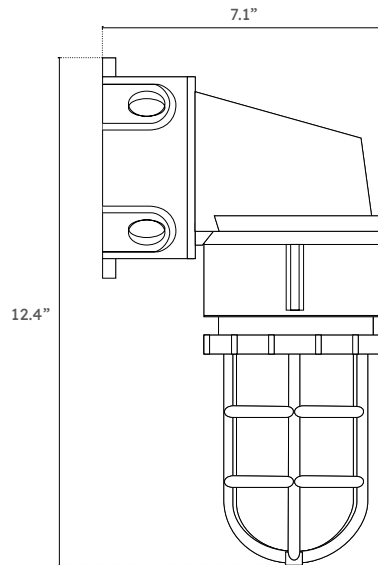


FLUORESCENT DIMENSIONS

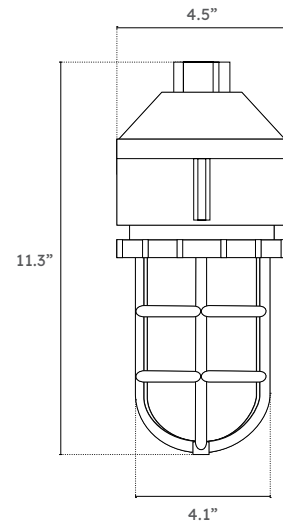
Ceiling Mount



Wall Mount



Pendant Mount

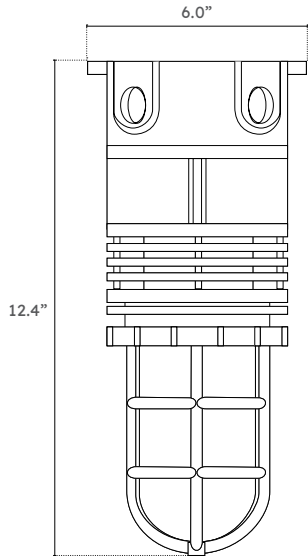


VP
Compact Vaporproof Fixture

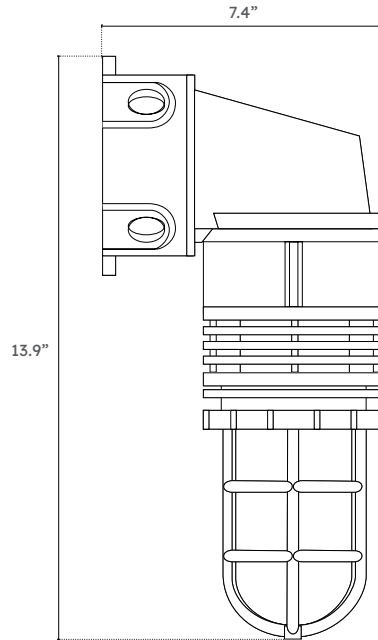


LED DIMENSIONS

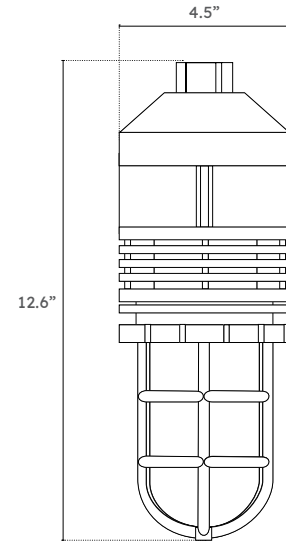
Ceiling Mount



Wall Mount

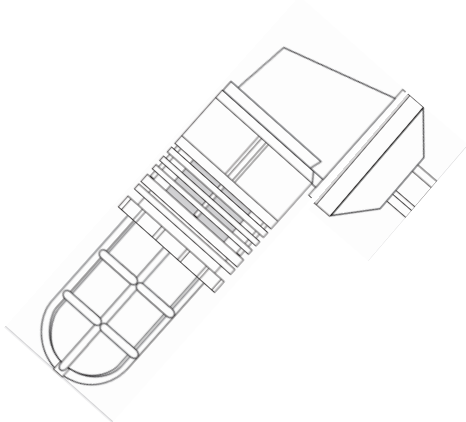


Pendant Mount

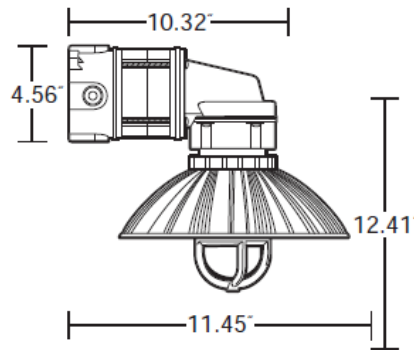


ACCESSORIES

Stanchion Mount



Reflector



Shroud - Design Optional

