

DATE:

PROJECT:

COMMENTS:

PUK-VE

Contained Vaporproof LED - Value Engineered



CONSTRUCTION

- Noncorroding, 30% glass-filled, high impact thermoset polyester housing
- High impact reinforced polymer alloy guard
- Stainless steel screws
- Brass inserts
- Long life silicone gaskets
- ¼ inch thick Lexan clear lens

LED

- 18W
- 4000K
- 80 CRI
- 120VAC or 277VAC
- LED PCB Module
- Total Lumen Output: 2000 lm
- Efficacy: 111 lm/w

OPERATING TEMPERATURE

- -40°C to 85°C, (-40°F to 185°F).

APPROVALS

- ETL
- CSA Certified
- Buy American Act
- IP66
- MRI compatible when order with non-ferrous alloy, (makes it nonmagnetic).
- Marine grade.

ORDERING LOGIC

PUK-VE-01-18W-C-F-09-1

SERIES	FINISH	WATTAGE	MOUNTING	FIXTURE TYPE	LENS	VOLTAGE
PUK-VE MRI	01 White	18W 18W (2000 lm)	C Ceiling	F With Box (Not Available with Pendant)	09 Clear Lens	1 120VAC
	02 Gray		W Wall	R Retrofit Ring	18 Etched Lens	2 277VAC
	03 Black		P Pendant		CC Custom Color	
	04 Red		S Stanchion			
	05 Blue		GS Ground Stake			
	06 Green					
	07 Yellow					
PUK-VE		18W				



INSTALLATION

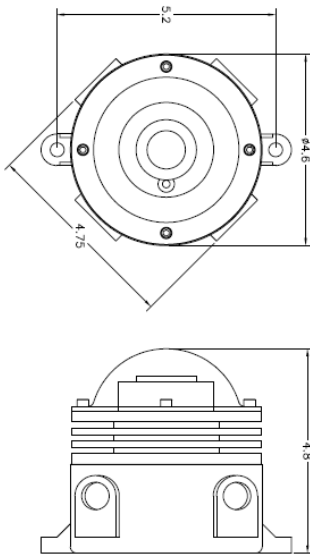
The ceiling box has 3/4" threaded hubs with liquid tight knockouts. Internal grounding system allows for hub to hub grounding continuity when using metallic wiring methods (lock nuts are required). Two mounting feet are spaced 5 1/4". Pendant mount fixtures have a single 3/4" threaded hub with a locking set screw. Use minimum 194°F (90°C) rated lead wires.

APPROVALS

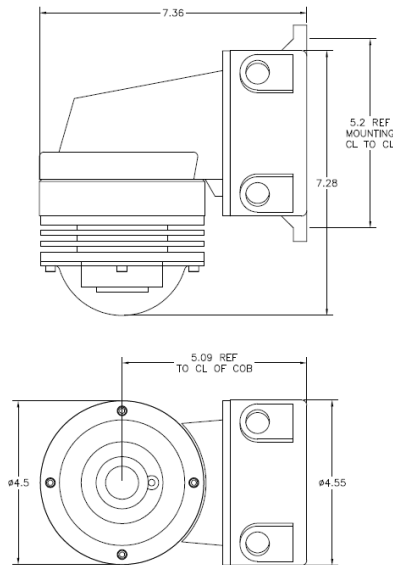
- ETL
- CSA Certified
 - C22.2 No. 250.0-08 Luminaires
 - C22.2 No. 250.13-12
- Buy American Act
- IP66
- Patents
 - US Patent No. D767195S1
 - Canadian Design Patent No. 163809
 - Chinese Patent No. 201530303758.8

DIMENSIONS/MOUNTING TYPES

Ceiling Mount



Wall Mount



Pendant Mount

