

DATE:

PROJECT:

COMMENTS:

# PUK-VE

Contained Vaporproof LED - Value Engineered



### CONSTRUCTION

- Noncorroding, 30% glass-filled, high impact thermoset polyester housing
- High impact reinforced polymer alloy guard
- Stainless steel screws
- Brass inserts
- Long life silicone gaskets
- ¼ inch thick Lexan clear lens

### LED

- 18W
- 4000K
- 80 CRI
- 120VAC or 277VAC
- LED PCB Module
- Total Lumen Output: 2000 lm
- Efficacy: 111 lm/w

### OPERATING TEMPERATURE

- -40°C to 85°C, (-40°F to 185°F).

### APPROVALS

- ETL
- CSA Certified
- Buy American Act
- IP66

**MRI compatible when order with non-ferrous alloy (this makes it non-magnetic)**

## ORDERING LOGIC

PUK-VE-01-18W-C-F-09-1

| SERIES     | FINISH    | WATTAGE           | MOUNTING        | FIXTURE TYPE                            | LENS            | VOLTAGE  |
|------------|-----------|-------------------|-----------------|---|-----------------|----------|
| PUK-VE     | 01 White  | 18W 18W (2000 lm) | C Ceiling       | F With Box (Not Available with Pendant) | 09 Clear Lens   | 1 120VAC |
|            | 02 Gray   |                   | W Wall          | R Retrofit Ring                         | 18 Etched Lens  | 2 277VAC |
| PUK-VE MRI | 03 Black  |                   | P Pendant       |   | CC Custom Color |          |
|            | 04 Red    |                   | S Stanchion     |   |                 |          |
|            | 05 Blue   |                   | GS Ground Stake |   |                 |          |
|            | 06 Green  |                   |                 |   |                 |          |
|            | 07 Yellow |                   |                 |   |                 |          |
| PUK-VE     |           | 18W               |                 |   |                 |          |



### INSTALLATION

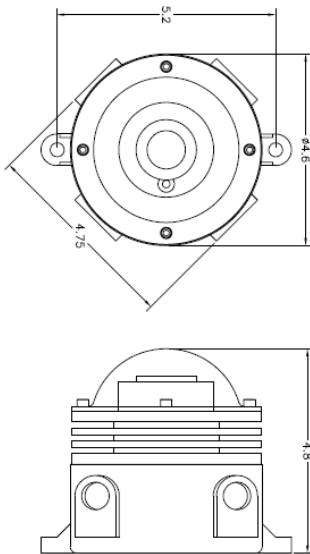
The ceiling box has 3/4" threaded hubs with liquid tight knockouts. Internal grounding system allows for hub to hub grounding continuity when using metallic wiring methods (lock nuts are required). Two mounting feet are spaced 5 1/4". Pendant mount fixtures have a single 3/4" threaded hub with a locking set screw. Use minimum 194°F (90°C) rated lead wires.

### APPROVALS

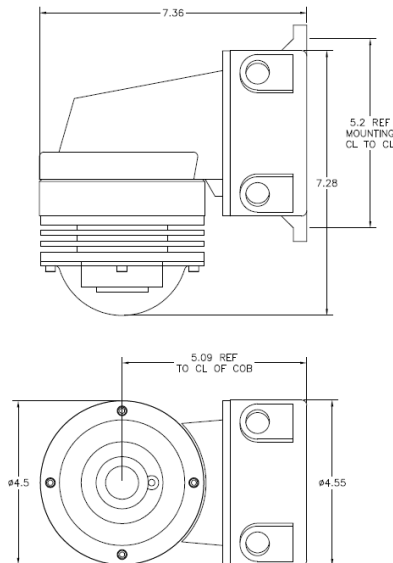
- ETL
- CSA Certified
  - C22.2 No. 250.0-08 Luminaires
  - C22.2 No. 250.13-12
- Buy American Act
- IP66
- Patents
  - US Patent No. D767195S1
  - Canadian Design Patent No. 163809
  - Chinese Patent No. 201530303758.8

### DIMENSIONS/MOUNTING TYPES

#### Ceiling Mount



#### Wall Mount



#### Pendant Mount

