

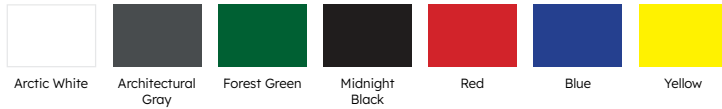
DATE:

PROJECT:

COMMENTS:

PUK

Contained Vaporproof LED



CONSTRUCTION

- Noncorroding, 30% glass-filled, high impact thermoset polyester housing
- High impact reinforced polymer alloy guard
- Stainless steel screws
- Brass inserts
- Long life silicone gaskets
- ¼ inch thick Lexan clear lens

LED

- 12W or 16W standard integrated LED
- 4000K standard
- 80 CRI
- 2592 lm
- Efficacy: 163 lm/w

OPERATING TEMPERATURE

- -40°C to 93°C, (-40°F to 200°F).

DRIVER

- Constant current
- 0-10V Dimming
- 120V=0.164A / 277V=0.077A
- 15.69% THD at 277V

APPROVALS

- ETL
- CSA Certified
- Buy American Act
- IP66

▪ **MRI compatible when order with non-ferrous alloy, (this makes it non-magnetic).**

▪ **Sauna suitable, (Maximum ambient temperature 200°F).**

▪ **Marine grade.**

ORDERING LOGIC

PUK-01-12W-C-F-NO-09

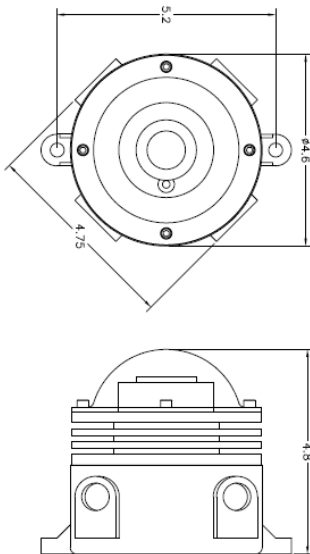
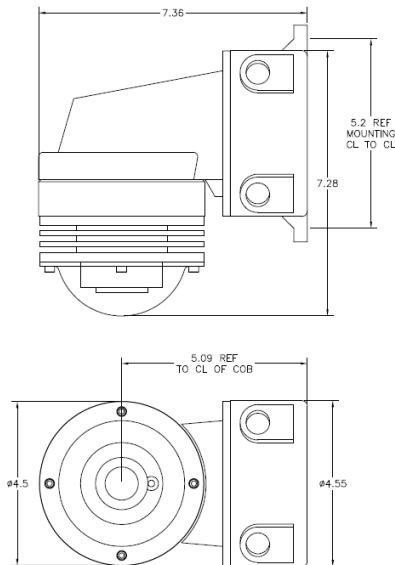
SERIES	FINISH	WATTAGE	MOUNTING	FIXTURE TYPE	OPTICS	LENS
PUK MRI	01 White	12W 12W (1985 lm)	C Ceiling	F With Box (Not Available with Pendant)	NO No Optics	09 Clear Lens
	02 Gray	16W 16W (2592 lm)	W Wall	R Retrofit Ring	BE 360°	18 Etched Lens
	03 Black		P Pendant			CC Custom Color
	04 Red		S Stanchion			
	05 Blue		GS Ground Stake			
	06 Green					
	07 Yellow					
PUK						

INSTALLATION

The ceiling box has ¼" threaded hubs with liquid tight knockouts. Internal grounding system allows for hub to hub grounding continuity when using metallic wiring methods (lock nuts are required). Two mounting feet are spaced 5¼". Pendant mount fixtures have a single ¼" threaded hub with a locking set screw. Use minimum 194°F (90°C) rated lead wires.

APPROVALS

- ETL
- CSA Certified
 - C22.2 No. 250.0-08 Luminaires
 - C22.2 No. 250.13-12
- Buy American Act
- IP66
- Patents
 - US Patent No. D767195S1
 - Canadian Design Patent No. 163809
 - Chinese Patent No. 201530303758.8

DIMENSIONS/MOUNTING TYPE**Ceiling Mount****Wall Mount****Pendant Mount**