

DATE:

PROJECT:

COMMENTS:

VP-VE

Compact Vaporproof Fixture - Value Engineered



CONSTRUCTION

- Noncorroding, 30% glass-filled, high impact thermoset polyester housing
- High impact reinforced polymer alloy guard
- Porcelain medium screw base lamp holder
- Brass screws and inserts
- Long life silicone gaskets

LAMP

- Type A19 or A21 Edison base (Lamp not included)
- 150W maximum

APPROVALS

- ETL
- CSA Certified indoor/outdoor
- NEMA 4X
- Meets UL 94V-0 standards for flame retardant
- Indoor / Outdoor
- **Supplied with standard clear glass globe.**
- **Marine grade.**



White



Gray



Black

ORDERING LOGIC

VP-VE - 01 - C

SERIES	FINISH	MOUNTING	GUARD
VP-VE	01 White 02 Gray 03 Black	C Ceiling W Wall	G Globe Guard
VP-VE			G



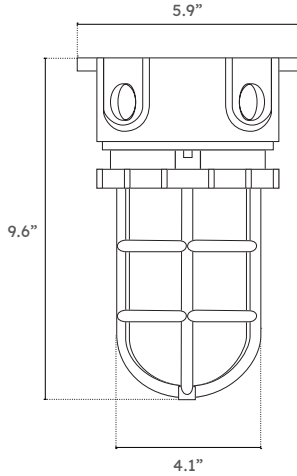
VP-VE

Compact Vaporproof Fixture - Value Engineered

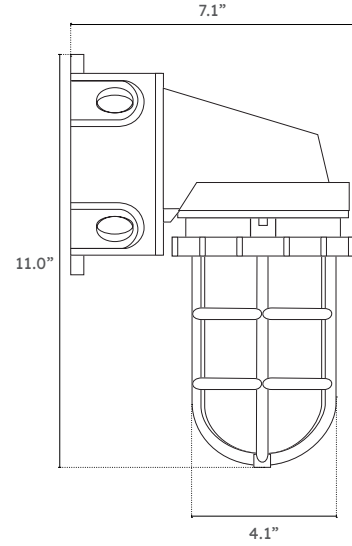


DIMENSIONS/MOUNTING TYPES

Ceiling Mount



Wall Mount



INSTALLATION

The ceiling box has $\frac{3}{4}$ " threaded hubs with liquid tight knockouts. Internal grounding system allows for hub to hub grounding continuity when using metallic wiring methods (lock nuts are required).

Two mounting feet are spaced $5\frac{1}{4}$ ". Pendant mount fixtures have a single $\frac{3}{4}$ " threaded hub with a locking set screw. Use minimum 90°C rated lead wires.

