



## Introducing the **SIGNATURE SERIES**

While on holiday in Lhasa, with the setting sun bathing the walls of the Jokhang Temple, Chinese architect Jiang Ho found inspiration for a new family of truly weatherproof light fixtures – the Signature Series. Built by American craftsmen with each fixture bearing the signature of the designer, these lamps embody the elements of **UNDERSTATED ASIAN ELEGANCE** emitting a **WARM, PEACEFUL GLOW** on buildings, posts, pathways and interior settings. Specify the Signature Series designed by Jiang Ho for your next project.

# Function Meets Form

Using the ancient artform of metal spinning, Signature Series fixtures are available in your choice of base metals: aluminum, brass, copper or galvanized steel. Constructed using the architect's original designs, these matched components can be custom configured to enhance the design aesthetics of striking architectural environments – adding an element of style to any indoor or outdoor installation.



|| PALACE



|| MONUMENT



|| TAO



|| PAGODA



|| TEMPLE

STANDARD COLORS

Fixtures can also be ordered in bare aluminum, brass, copper, and galvanized steel.



WHITE



GREY



YELLOW



GREEN



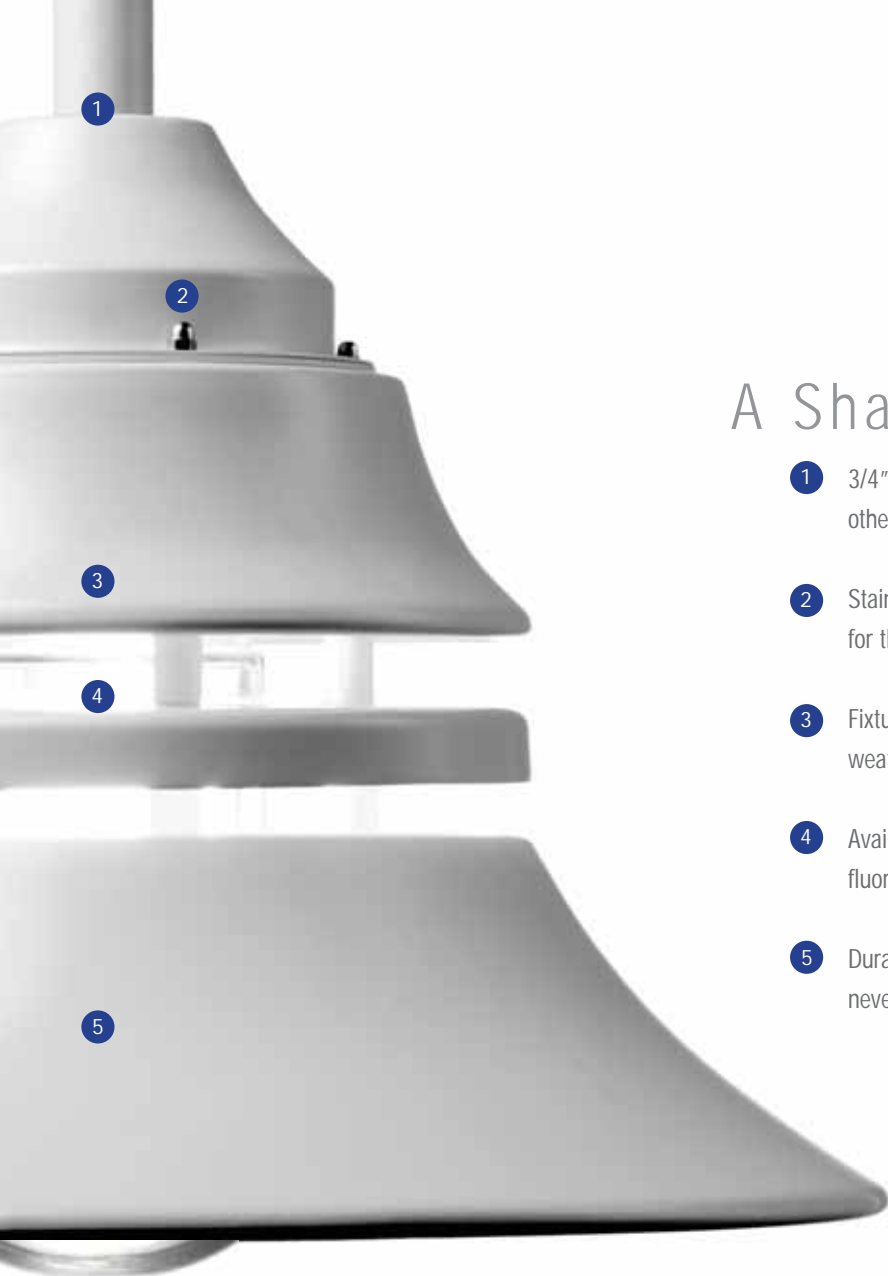
BLUE



RED

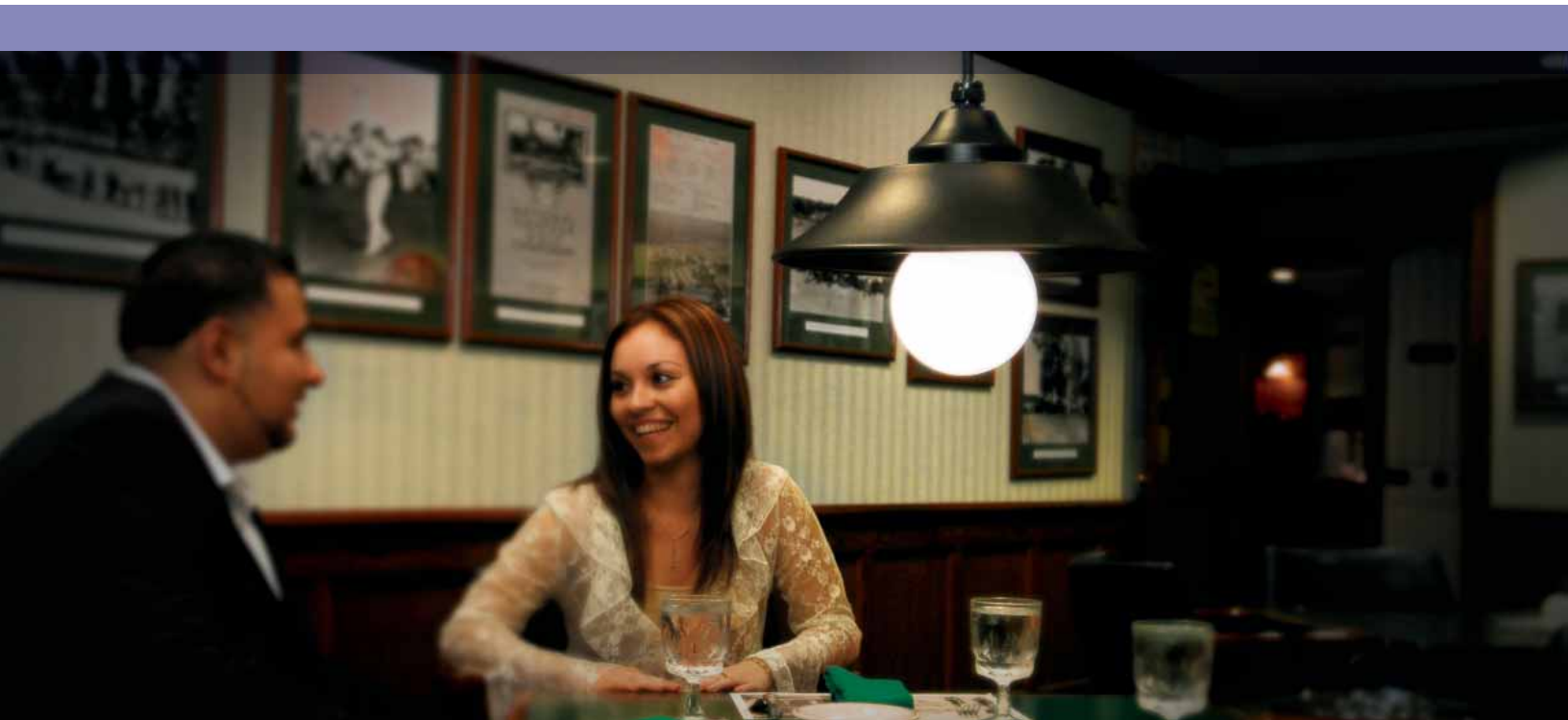


BLACK

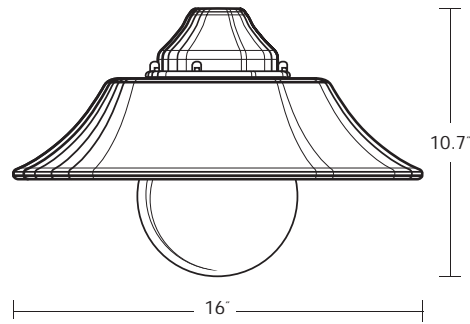


## A Shading System

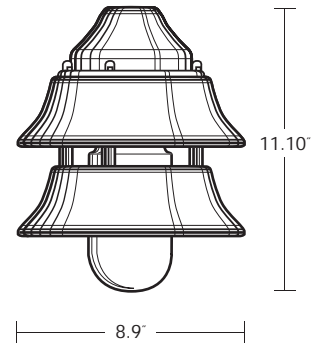
- 1 3/4" threaded point of attachment for goosenecks or other mounting hardware (locking screw provided).
- 2 Stainless fasteners insure corrosion-free appearance for the life of the fixture.
- 3 Fixture is vapor proof and impervious to the harshest weather conditions.
- 4 Available in incandescent or self-contained fluorescent versions.
- 5 Durable powder-coated finish withstands exposure never losing its initial lustre.



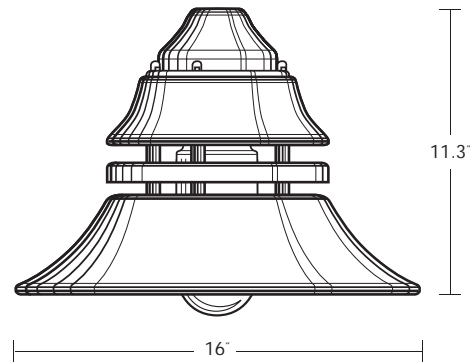
|| PALACE



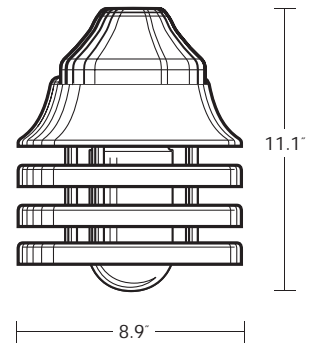
|| MONUMENT



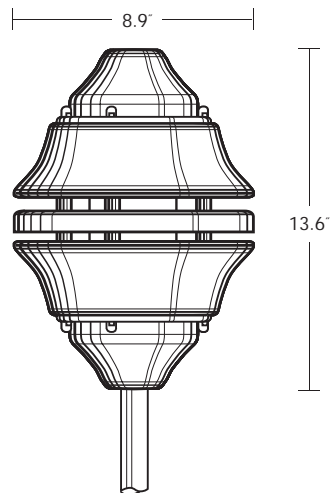
|| PAGODA



|| TEMPLE



|| TAO



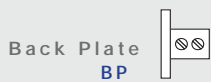
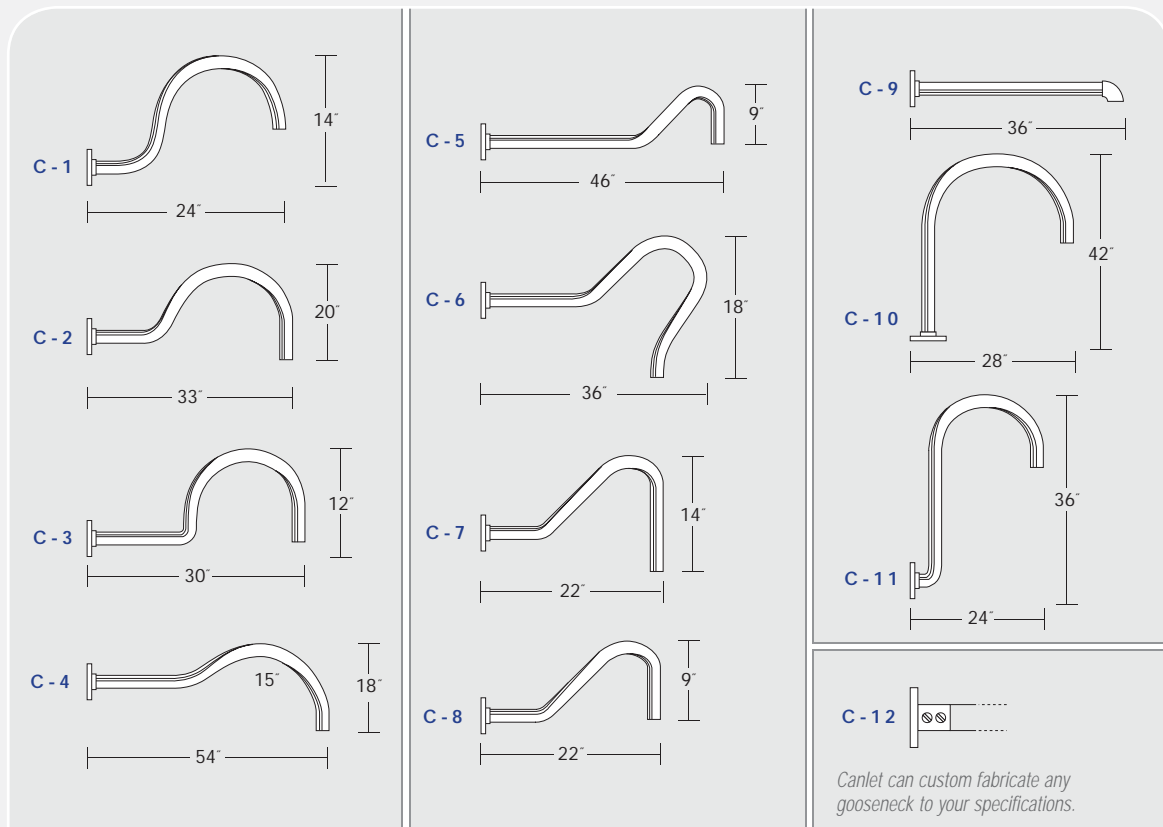
drama  
style  
character

Designed as a striking pathway lighting solution, the Tao fixture can be ordered in custom configurations and colors.



## Mounting Options

Signature Series fixtures can be mounted in a variety of ways, including tough weather resistant cord, braided cord, and a variety of stock goosenecks. Goosenecks can also be custom fabricated to fit any application requirement. Ask your representative for more details.



# Ideal fixtures for restaurants, parks and shopping malls.

To specify product, build a part number using the legend below:

1	2	3	4	5	6	7	8	9

## 1. SHADE

- 1 - Palace
- 2 - Temple
- 3 - Pagoda
- 4 - Monument
- 5 - Tao

## 2. FIXTURE COLOR

- WH- White
- AG- Gray
- BK- Black
- RD- Red
- BL- Blue
- GR- Green
- YL- Yellow
- BA- Bare Aluminum
- BS - Brass
- CO - Copper
- GS - Galvanized Steel
- CS - Custom Color

## 3. LAMP TYPE

- F - Fluorescent
- I - Incandescent

## 4. LAMP WATTAGE\*

- 15 - 150W
- 09 - 5-7-9W
- 13 - 13W
- 18 - 18W
- 26 - 26W
- 32 - 32W
- 42 - 42W

## 5. POWER FACTOR †

- H - High
- N - Normal

## 6. VOLTAGE †

- 1 - 120 Volt
- 2 - 277 Volt
- 3 - 347 Volt\*

\* 13, 18, 26, 32  
and 42W only

† not applicable for  
incandescent

## 7. GOOSENECKS\*\*

C1 through C11 are standard  
C12 denotes custom

\*\* All Goosenecks are 3/4" diameter

## 8. GLOBES

### Stock Items

- GS (C, O) - Standard Glass
- GHC - Heat-treated Clear Glass
- GH (A, R, B, G) - Colored Heat-treated Glass
- GPC - Prismatic Clear Glass
- PPC - Prismatic Polycarbonate (Clear) ††
- PSC - Smooth Wall Polycarbonate (Clear) ††

### Special Orders

- PP (A, R, B, G, O) - Colored Prismatic Polycarbonate ††
- PS (A, R, B, G, O) - Colored Smooth Wall Polycarbonate ††

C = Clear, A = Amber, R = Red, B = Blue, G = Green, O = Opal

†† small polycarbonate for 13W

## 9. ACCESSORIES

- BP - Back Plate
- CA - Cord Adapter
- PA - Pig Tail Adapter
- AP - Incandescent Drop Cord
- DP - Fluorescent Drop Cord
- OG - Guard

### Lamps not included - may be ordered separately

Polycarbonate globes only available with the Palace shade.

All fixtures ordered with heat treated globes come with Class I, Division 2, labels.

Guards not available with polycarbonate globes or round globe.



Signature Series fixtures can be used outdoors to highlight signage, provide security or accent architecture.