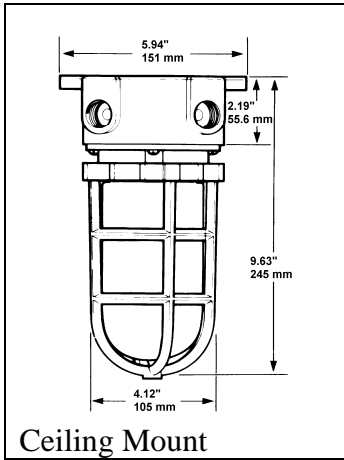




Contractor Series Universal Incandescent Non-Metallic Fixture



Ceiling Mount

Construction

The housing is corrosion resistant glass reinforced polyester thermo-plastic. The guard is manufactured in a high impact resistant glass reinforced polymer alloy. All screws and inserts are brass. Gaskets are long life silicone.

Compliances

- UL 1598 - Wet location
- UL 595/1598A - Marine – Outside Type (Saltwater)
- CSA approved
- NEMA 4X – Suitable for hose-down areas.

COLORS

Only one color combination available. The junction box and the guard are black finished while the lampholder base of the fixture is yellow.

IP66 – Ingress Protection

Lamp

The phenolic medium base lampholder will accept up to a 150w type A21 incandescent lamp, screw in CFL lamp and screw in LED lamp (*rated for enclosed fixtures only*).

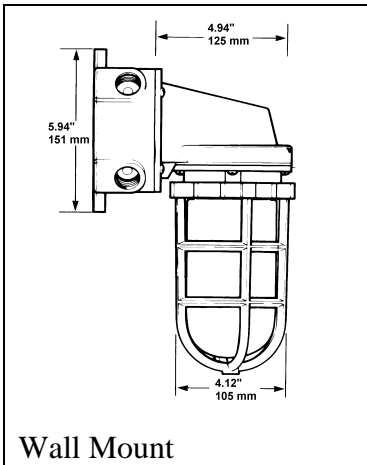
Lamp not included.

Project Name

Fixture #

Installation

The ceiling box has four 3/4" threaded hubs with liquid tight knockouts. Internal grounding system allows for hub to hub grounding continuity when using metallic wiring methods (lock nuts are required). Two mounting feet are spaced at 5 1/4". Pendant mount fixtures have a single 3/4" threaded hub with a locking set screw. Use minimum 90°C rated lead wires.



Wall Mount



5500 W 111th Street
 Oak Lawn, IL 60453
 Tel: 708-422-3881
 Fax: 708-422-3341
 Web: www.canlet.com

	1	2	3	4
CS		I	OG	09
1. Configuration	C – Ceiling mount W – Wall mount		3. Guard OG - Guard Only	
2. Lamp Type	I - Incandescent		4. Globes 09 – Standard Clear Glass	
			Lamps not included	



Made in USA