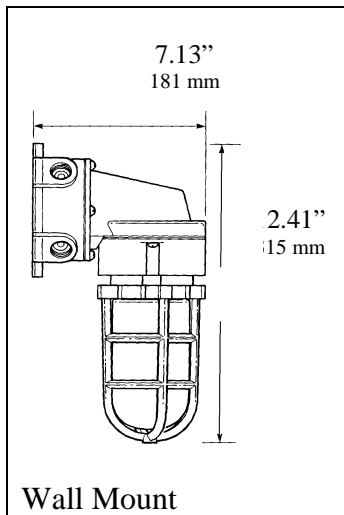
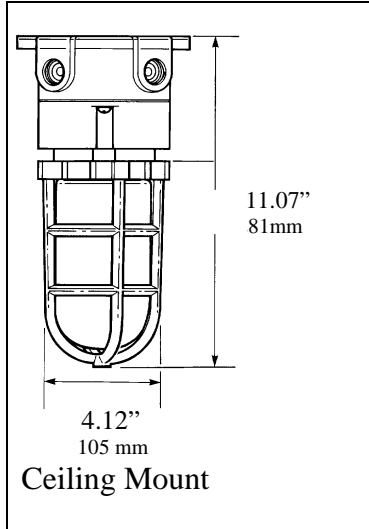




## Contractor Series Economy Fluorescent Non-Metallic Fixture



### Construction

The housing is corrosion resistant glass reinforced polyester thermo-plastic. The guard is manufactured in a high impact resistant glass reinforced polymer alloy. All screws and inserts are brass. Gaskets are long life silicone.

### COLORS

Only one color combination available. The junction box and the guard are black finished while the lampholder base of the fixture is yellow.

### Lamp

The fixture accepts any manufacturer's 13w 4-pin compact fluorescent lamp with a GX24q-1 lamp base.

**Lamp not included.**

### Ballast

Electronic Preheat (Rapid) Start – Normal Power Factor. 13w/ 120v 50/60Hz 0.194A Inherent Thermal Protection

### Installation

The ceiling box has four 3/4" threaded hubs with liquid tight knockouts. Internal grounding system allows for hub to hub grounding continuity when using metallic wiring methods (lock

nuts are required). Two mounting feet are spaced at 5 1/4". Pendant mount fixtures have a single 3/4" threaded hub with a locking set screw. Use minimum 90°C rated lead wires.

### Operating Temperature

-10°F to 90°F

### Compliances

UL 1598 - Wet location

UL 595/1598A - Marine – Outside Type (Saltwater)

CSA approved

NEMA 4X – Suitable for hose-down areas.

IP66 – Ingress Protection

Project Name:

Fixture#



5500 W 111<sup>th</sup> Street  
Oak Lawn, IL 60453  
Tel: 708-422-3881  
Fax: 708-422-3341  
Web: [www.canlet.com](http://www.canlet.com)

|                         | 1                                   | 2        | 3   | 4         |
|-------------------------|-------------------------------------|----------|---|-----------|
| <b>CS</b>               |                                     | <b>F</b> | <b>OG</b>                                     | <b>09</b> |
| <b>1. Configuration</b> | C – Ceiling mount<br>W – Wall mount |          | <b>3. Guard</b><br>OG - Guard Only            |           |
| <b>2. Lamp Type</b>     | F - Fluorescent                     |          | <b>4. Globes</b><br>09 – Standard Clear Glass |           |
|                         | <b>Lamps not included</b>           |          |   |           |



Made in USA